

Operating Instruction

Mobile Power Supply with accessories and charger

MPS-2302000

Nominal Capacity C1:	40 Ah	Nominal Energy: 2000 Wh
Nominal Voltage:	50.4 V	
Nominal Temperature:	20 °C	

The Mobile Power Supply contains a battery. KEEP AWAY FROM CHILDREN.
Only use the Mobile Power Supply with the delivered accessories and charger.
Never use other chargers.



Consider Operating Instruction and place it visible at the place of charge.

Because of lack of applicable standards consider EN 50272-3 and EN 50272-2



Wear safety goggles while working with or on batteries.



Dangerous voltage.

Avoid touches and short circuits.

Attention! Metal parts and battery the battery itself can have a voltage. Therefor place no foreign parts or tools to the battery.

1. Safety Precaution

Before using this Mobile Power Supply, please read the "safety instructions" carefully to ensure correct and safe use, and keep the manual in a safe place. If the Mobile Power Supply is damaged due to failure to follow the instructions in this manual, the company reserves the right not to carry out quality assurance.

During operation, please pay attention to all warning signs and operate as required.

Avoid direct exposure to the sun, rain or wet environment to use this equipment.

The Mobile Power Supply cannot be installed near the heat source area, or near the similar appliances such as electric heaters and hot stoves.

When placing products, there must have safe space around them to ensure ventilation. When installing, refer to the instructions.

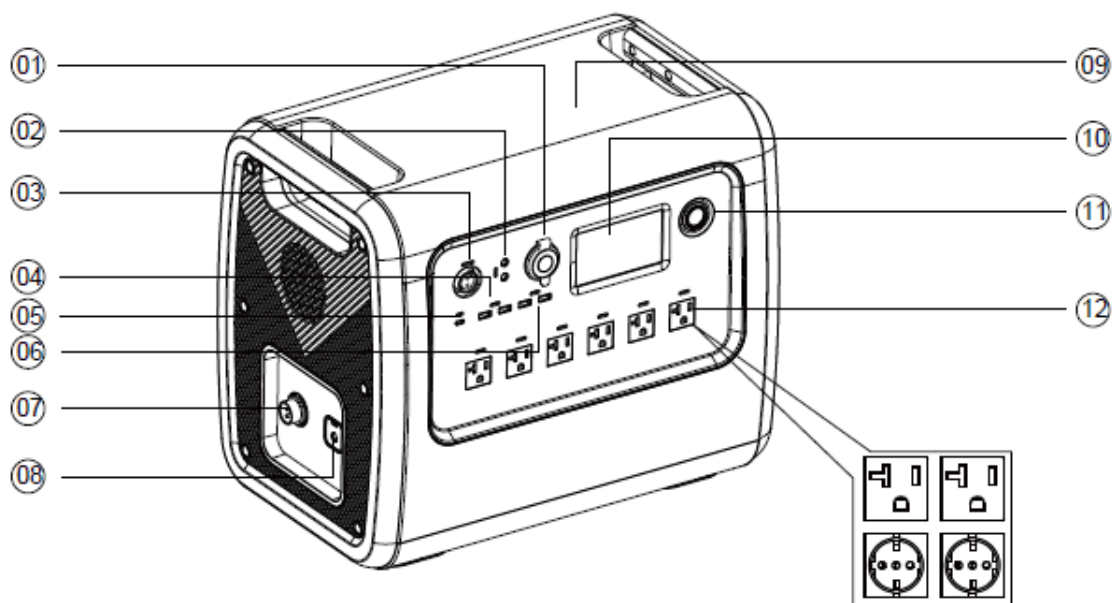
When cleaning, please use dry cloth to wipe.

In case of fire, please use dry powder fire extinguishers. Do not use liquid fire extinguishers to avoid the risk of electrical shock.

If the Mobile Power Supply is used outdoor, it must be protected from direct contact with water and must be protected from condensing water.

2. Operation

Check the Mobile Power Supply for mechanical damages. The accessories and connectors must be connected safe. The battery must be recharged before and after the use of the Mobile Power Supply.



- | | | |
|-----------------------------|--------------------|--------------------------|
| 1: Cigarette lighter output | 5: USB-C – 100 W | 9: 2 x Wireless charging |
| 2: 2 x 12 V – 10 A output | 6: 2 x USB-A – 3 A | 10: Touch Display |
| 3: 12 V – 25 A output | 7: PV/Car input | 11: Power button |
| 4: 2 x USB-A – 18 W | 8: Adapter input | 12: 4 x AC output |

3. Usage

Power on and Power off

Master power button

Turn on: Press the master power button more than 1 second can turn on the generator, then the power LED indicator and LCD screen will be lit up.

Turn off: Press the main power button more than 1 second can turn off the generator, LCD screen will turn off, after loosen hand the power LED indicator will go out.

All settings can be made via the menu shown in the display.

4. Maintenance

There is no maintenance necessary.

5. Care

The Mobile Power Supply must be kept clean. If cleaning is required this must be carried out by dry cloth only.

6. Storage

Keep the storage temperature within normal range as 0° C to 30° C. Do not store the Mobile Power Supply in direct sunlight.

7. Troubleshooting

In case of troubles the customer service must be called.